

Rocker Switch (RS3-10 (S) Series)

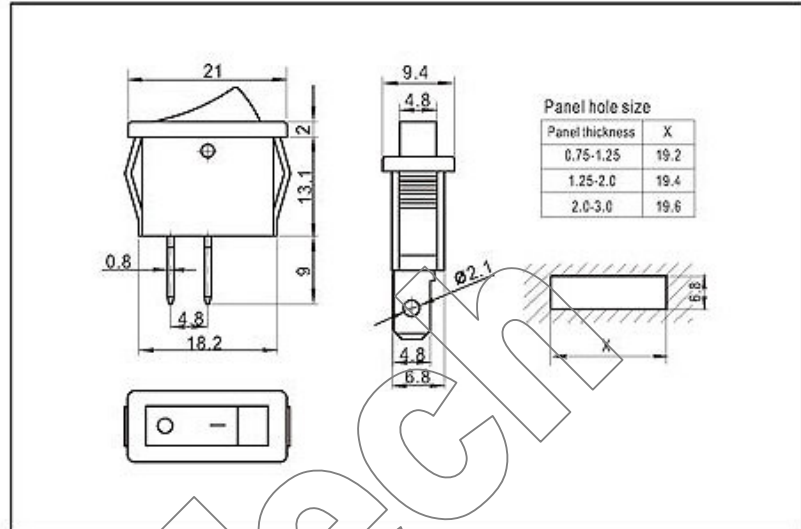


SPECIFICATIONS

6 (2) A 250VAC T125/55 1E4

10A 125VAC T105

ROHS Compliance



EXPLANATION MODEL NUMBER

RS3- 10(S) - 11 - G-2 - BK/BK - P5

